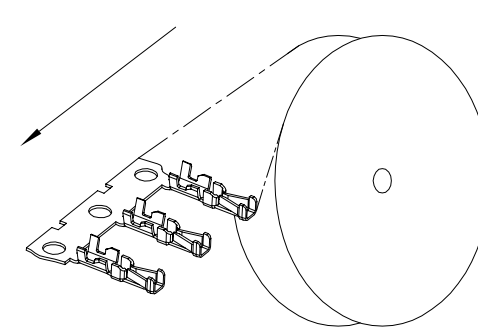
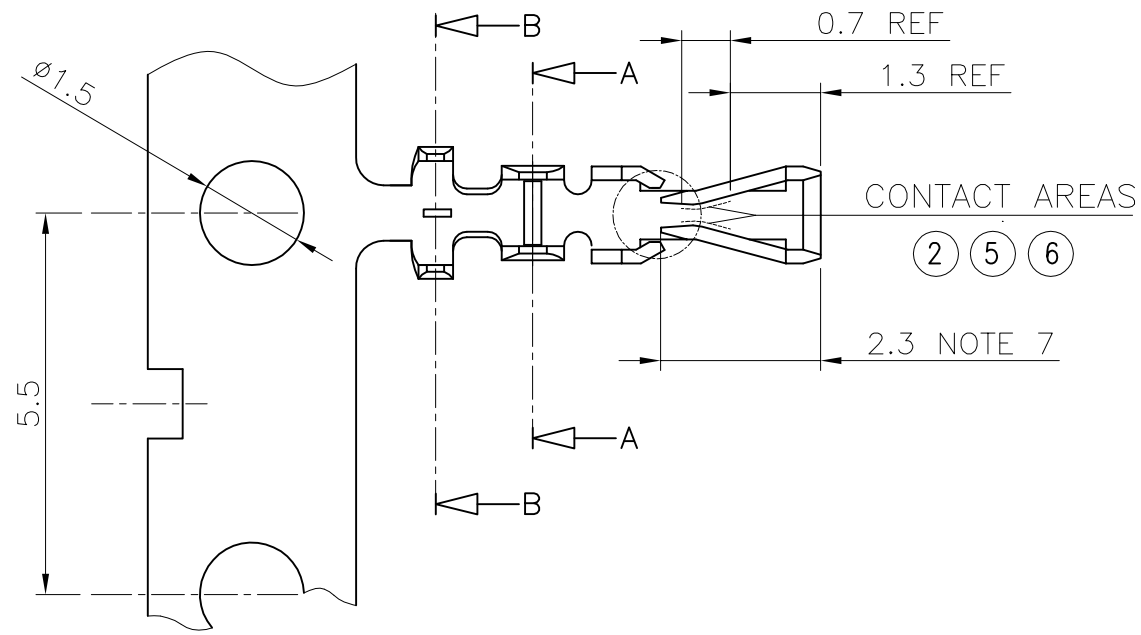
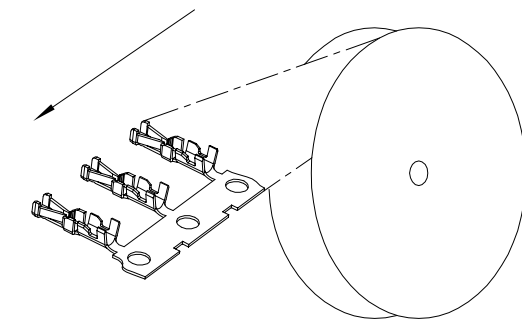


PRODUCT NO.	FINISH	REELING DIRECTION
77138-001LF	NOTE 2	FIG.1
77138-101LF	NOTE 6	FIG.1
77138-201LF	NOTE 5	FIG.1
77138-001RELF	NOTE 2	FIG.2
77138-101RELF	NOTE 6	FIG.2



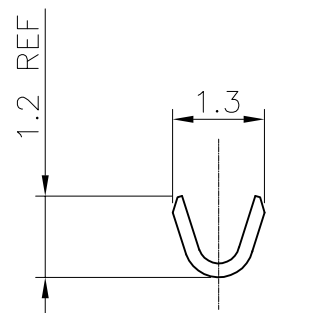
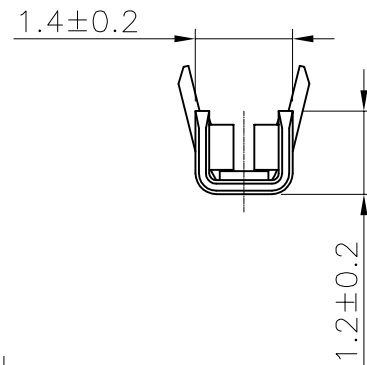
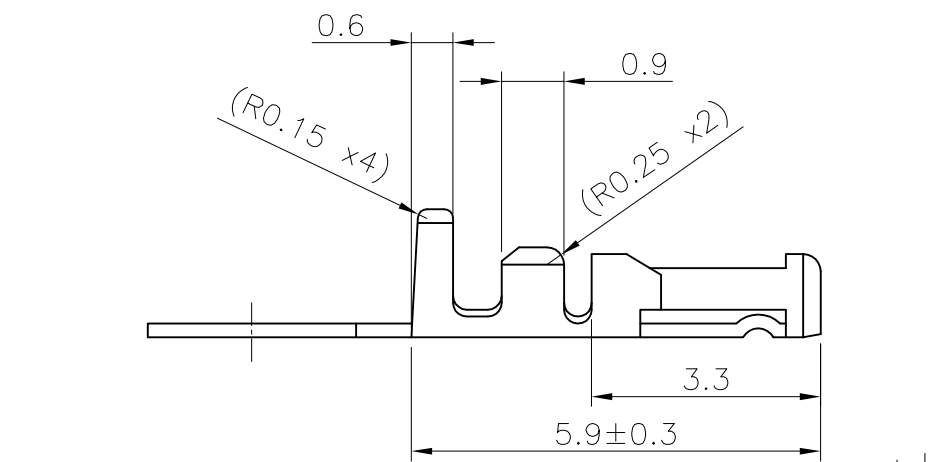
UNREELING DIRECTION
FIG.1



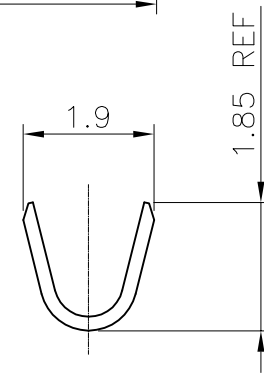
UNREELING DIRECTION
FIG.2

NOTES

- 1 MATERIAL : PHOSPHOR BRONZE
- ② FINISH : SELECTIVE GOLD PLATING 0.2μm MIN (CONTACT AREA) OVER 1.27μm Ni MIN
- 3 WIRE RANGE : AWG 26-30
INSULATOR DIAMETER : Ø1.4 MAX
- 4 GENERAL TOLERANCE : ±0.25
- ⑤ FINISH : SELECTIVE GOLD PLATING 0.5μm MIN (CONTACT AREA) OVER 1.27μm Ni MIN
- ⑥ FINISH : SELECTIVE GOLD PLATING 0.76μm MIN (CONTACT AREA) OVER 1.27μm Ni MIN
- 7 REMAINDER : GOLD FLASH
a- UNDERPLATING 1.27μm NI MIN ALL OVER
- 8 THIS PRODUCT MEETS EUROPEAN UNION DIRECTIVES AND OTHER COUNTRY REGULATIONS AS DESCRIBED IN GS-22-008
- 9 CRIMP SPECIFICATION AS PER 100-006



SECTION A-A



SECTION B-B

mat'l. code		surface		tolerance		projection		product family			
SEE NOTES		ISO 1302		ISO 406 ISO 1101		mm		MINITEK			
ltr	ecn no	dr	date	tolerances unless otherwise specified		mm		title			
J	J07-0092	R.S	07.02.07	angles	.x ±0.25	mm		CTW MINITEK			
K	F08-0122	JCO	08.05.05	linear	.xx ±0.15	mm		AWG 26-30			
L	F08-0174	JCO	08.05.20		.xxx ±0.05	scale 5:1		sheet 1 of 1			
		dr	L.MULIN	08.01.28				dwg no			
		enr	J.COMPAGNON	08.01.28				77138		A3	
		chr						CUSTOMER		Drawing	
		appd	J.CO	08.05.05							
sheet index		revision sheet									